

Product datasheet

Specifications



servo motor BCH, no oil seal, w key,
20-bit encoder, w/o brake-straight
con

BCH0401O12A1C

! To be discontinued on: 31 December 2023

! To be end-of-service on: 31 December 2023

! Discontinued - Service only

Main

Range compatibility	Lexium 23 Plus
Product or component type	Servo motor
Device short name	BCH

Complementary

Maximum mechanical speed	5000 rpm
[Us] rated supply voltage	220 V
Network number of phases	Single phase
Continuous stall current	0.9 A
Continuous power	0.1 kW
Shaft end	Keyed
Second shaft	Without second shaft end
Shaft diameter	8 mm
Shaft length	20 mm
Key width	3 mm
Feedback type	20 bits incremental encoder
Holding brake	Without
Mounting support	Asian standard flange
Motor flange size	40 mm
Torque constant	0.36 N.m/A
Back emf constant	13.6 V/krpm at 20 °C
Rotor inertia	0.037 kg.cm ²
Stator resistance	18.6 Ohm at 20 °C
Stator inductance	48 mH at 20 °C
Stator electrical time constant	2.58 ms at 20 °C
Maximum radial force Fr	78.4 N
Maximum axial force Fa	39.2 N
Brake pull-in power	7.3 W

Type of cooling	Natural convection
Length	100.6 mm
Number of motor stacks	1
Centring collar diameter	30 mm
Centring collar depth	2.5 mm
Number of mounting holes	4
Mounting holes diameter	4.5 mm
Circle diameter of the mounting holes	46 mm
Distance shaft shoulder-flange	20 mm
Net weight	0.5 kg

Environment

IP degree of protection	IP40
Ambient air temperature for operation	0...40 °C

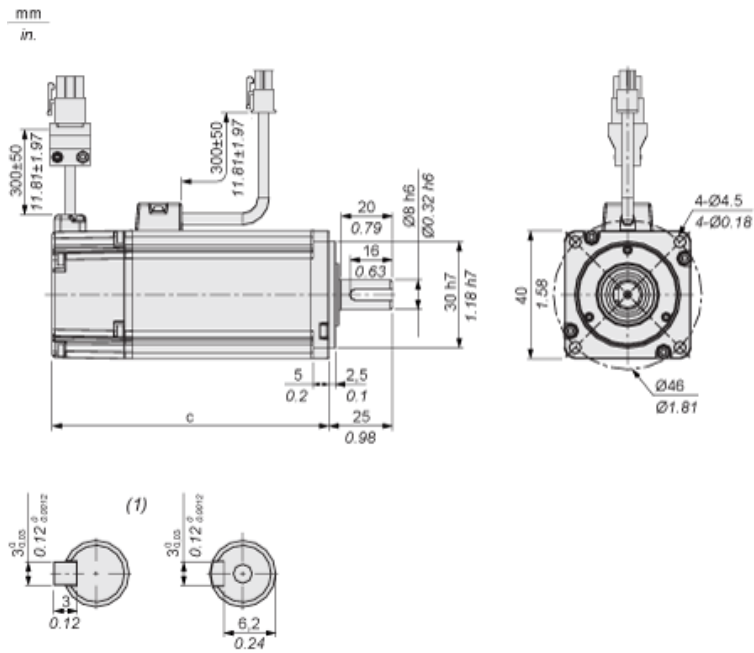
Packing Units

Unit Type of Package 1	PCE
Number of Units in Package 1	1
Package 1 Height	8.0 cm
Package 1 Width	12.0 cm
Package 1 Length	17.0 cm
Package 1 Weight	682.0 g
Unit Type of Package 2	S06
Number of Units in Package 2	32
Package 2 Height	73.5 cm
Package 2 Width	60.0 cm
Package 2 Length	80.0 cm
Package 2 Weight	34.824 kg

Contractual warranty

Warranty	18 months
----------	-----------

Dimensions



(1) Shaft end, keyed slot (optional)

Dimensions in mm

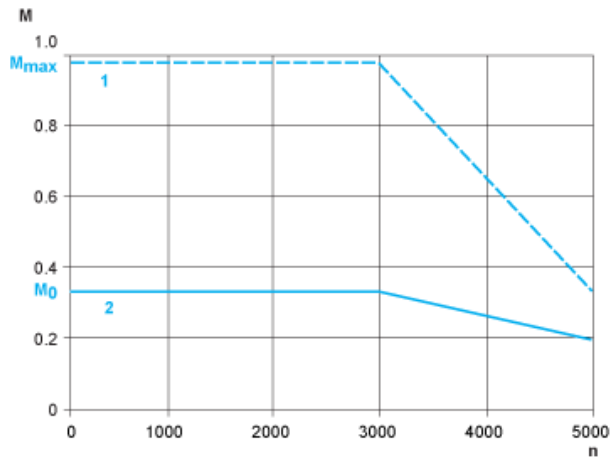
c (without holding brake)	c (with holding brake)
100.6	136.6

Dimensions in in.

c (without holding brake)	c (with holding brake)
3.96	5.38

Torque/Speed Curves with 220 V Single Phase Supply Voltage

Servo Motor with LXM23•U01M3X Servo Drive



- M :** Torque in Nm
- n :** Speed in rpm
- 1 :** Peak torque
- 2 :** Continuous torque

Recommended replacement(s)